



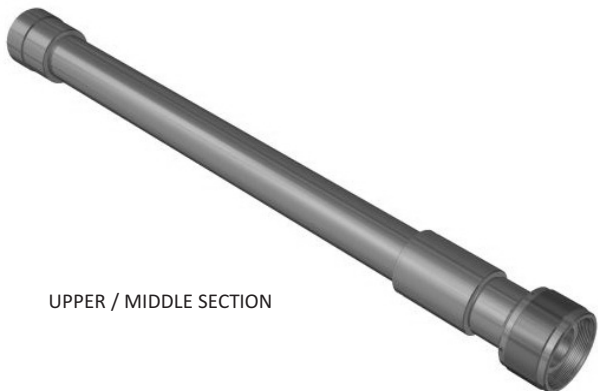
THREADED LUBRICATOR

The **BDWS Threaded Lubricator** is manufactured from alloy steel and available from 2 feet to 12 feet in length.

The Threaded Lubricator is standard, but other types of connections are also available upon request. The Lubricator is rated at 5,000 psi to 20,000 psi Working Pressure and are available in Standard and H2S service.

FEATURES

- Manufactured from Alloy Steel.
- Supplied with various size of QUN connection.
- Continuous joint lubricator (one piece construction)
- Safety factor in compliance with A.P.I
- Effects of side loading considered in design.
- 5,000 to 20,000 psi working pressure.
- H2S or Standard service.
- Pressure test to the required Test Pressure.
- Part Number available upon request.



UPPER / MIDDLE SECTION



LOWER PORTED SECTION

